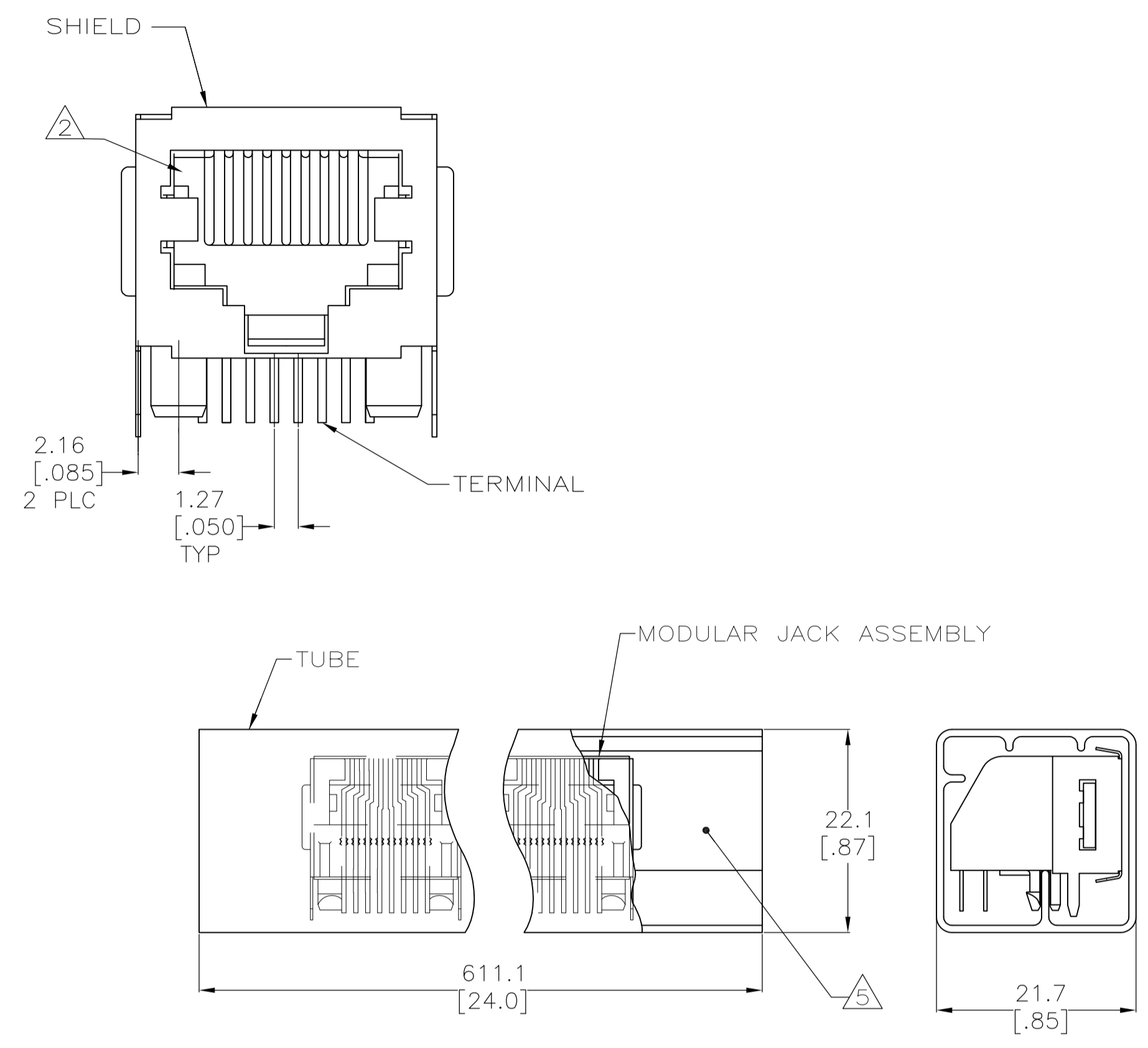
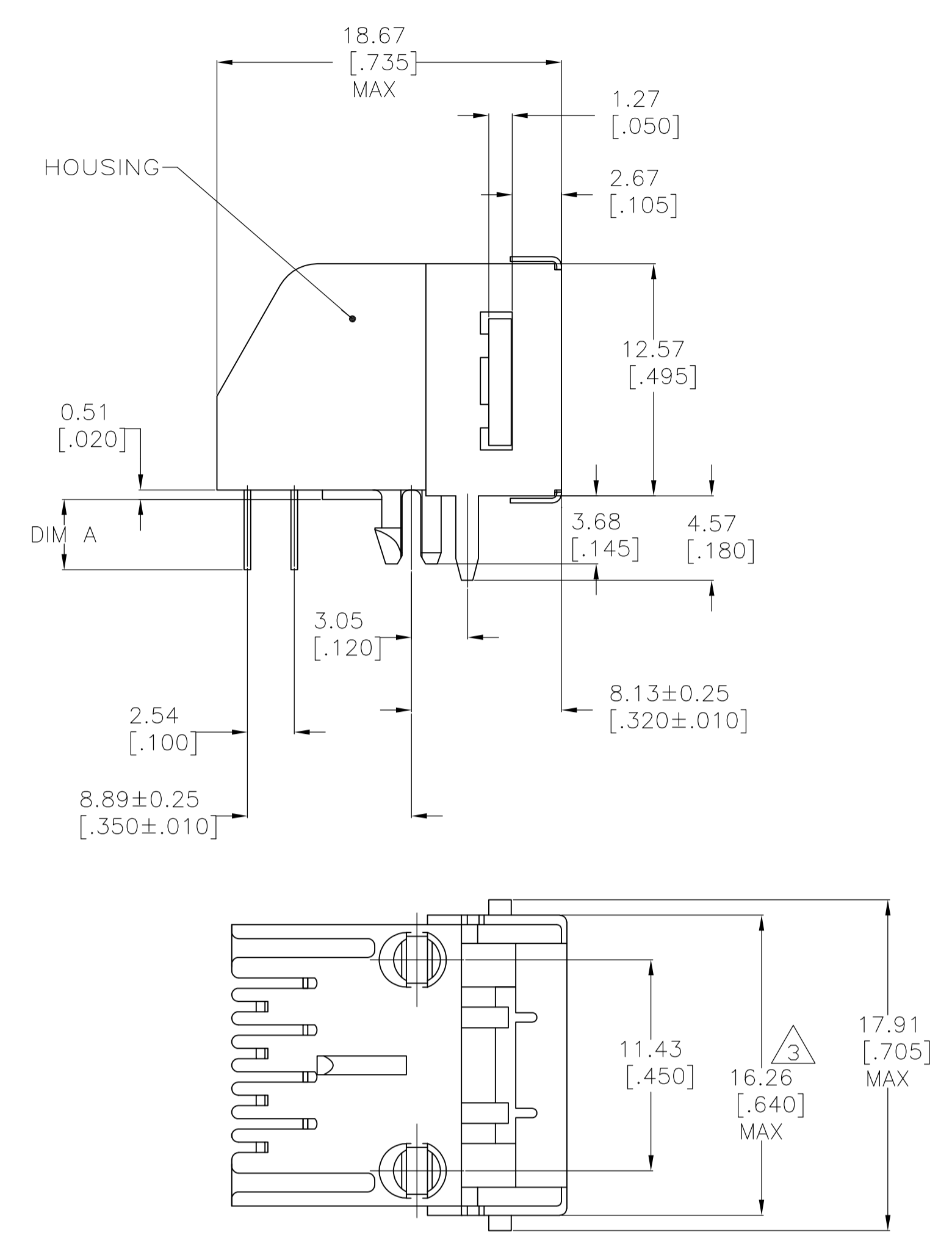
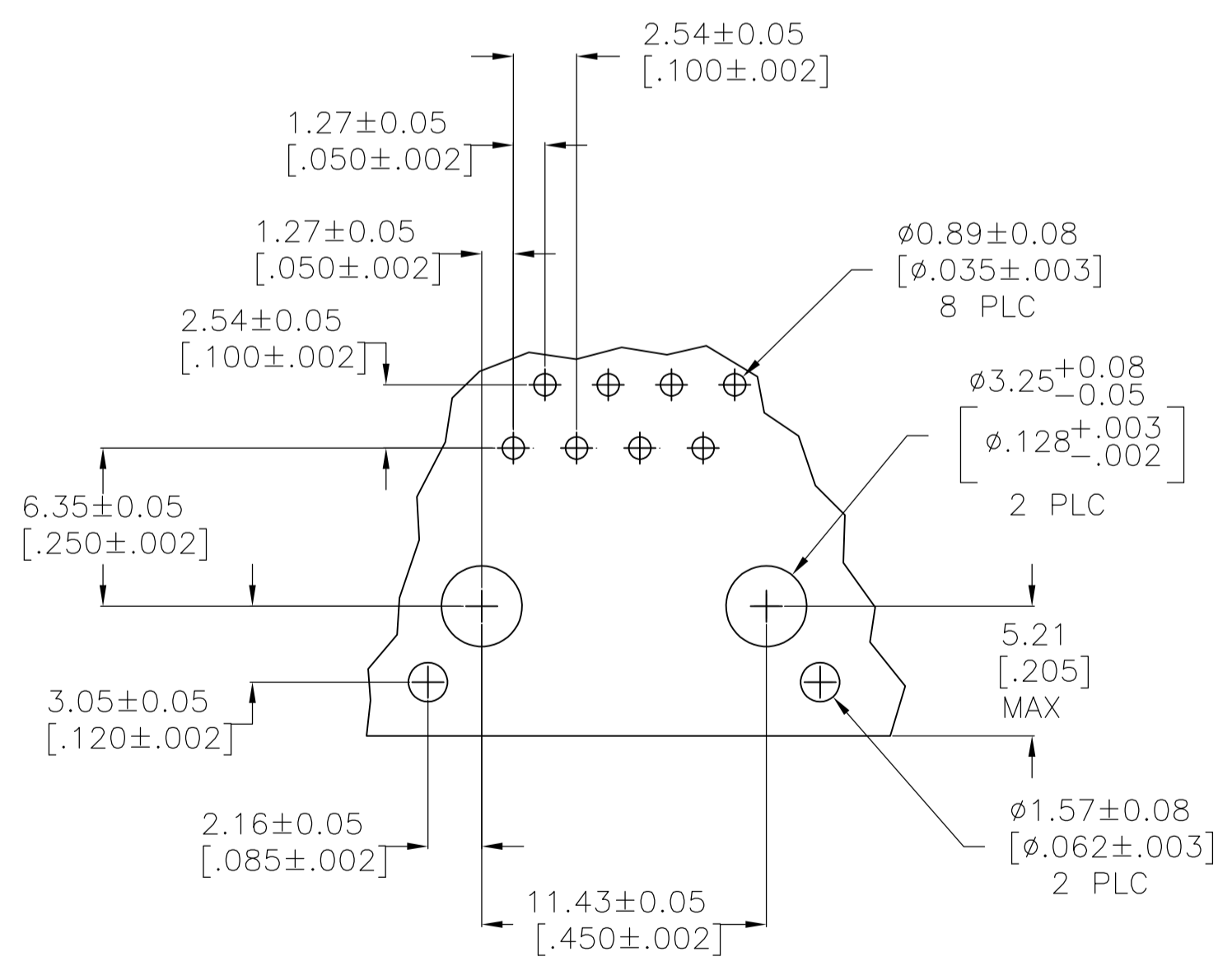


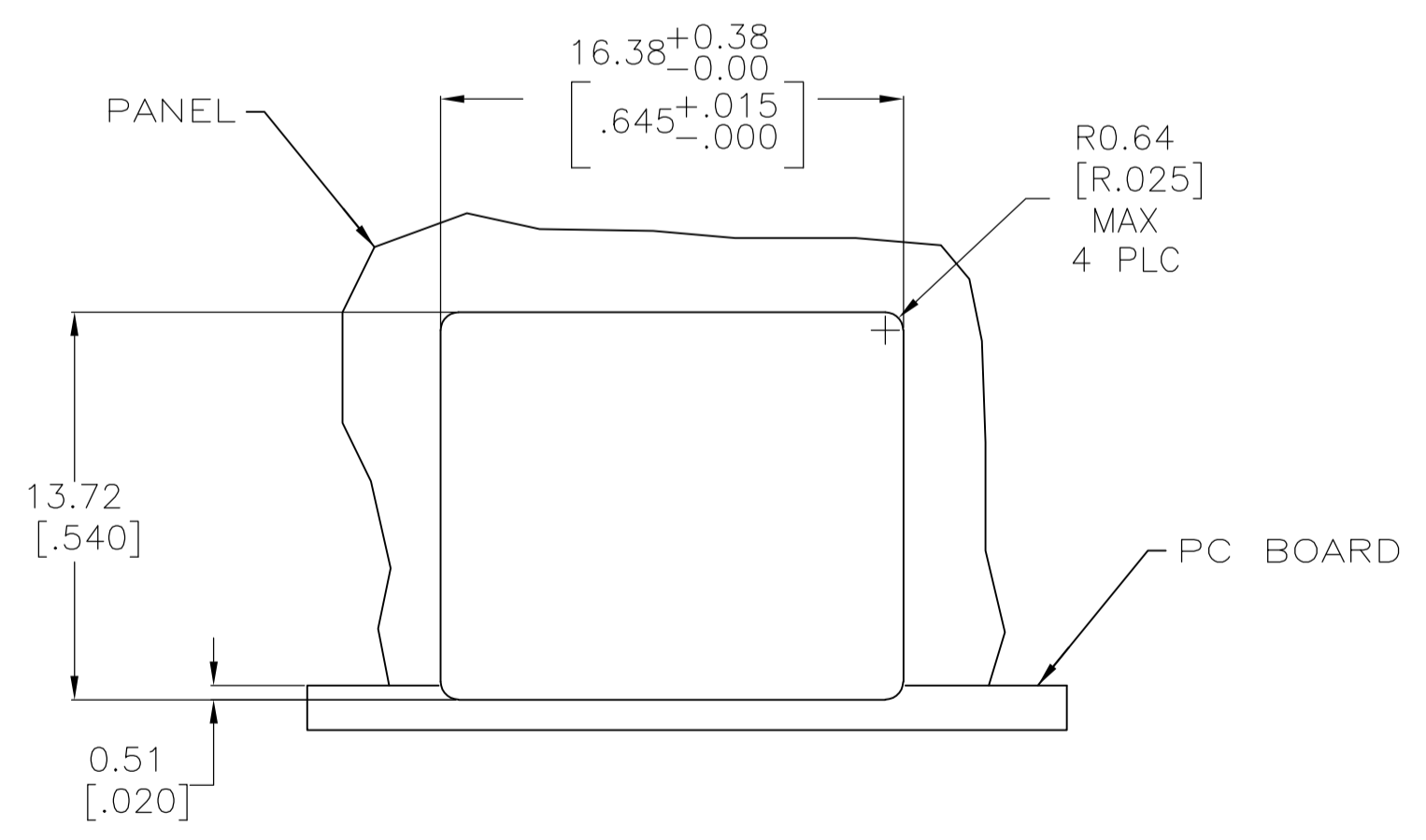
REVISIONS					
P	LTR	DESCRIPTION	DATE	DMN	APVD
D2		REVISE PER ECO-16-008229	31MAY2016	AD	SH



DETAIL B
SCALE 2:1



RECOMMENDED PRINTED CIRCUIT BOARD LAYOUT
(COMPONENT SIDE)



RECOMMENDED PANEL CUTOUT

- MATERIAL:
HOUSING - PBT POLYESTER, COLOR: BLACK
TERMINAL - 0.36[.014] THICK PHOS BRONZE PLATED WITH 1.27μm [.000050] THICK HARD GOLD IN LOCALIZED GOLD PLATE AREA AND 2.03μm [.000080] THICK MATTE TIN IN SOLDER AREA OVER 1.27μm [.000050] THICK NICKEL UNDERPLATE
SHIELD - 0.25 [.010] THICK COPPER ALLOY PLATED WITH 3.0μm [.000120] MINIMUM THICK REFLOWED TIN
- CAVITY CONFORMS TO FCC RULES AND REGULATIONS PART 68, SUBPART F.
- DIMENSIONS MEASURED ALONG FRONT EDGES OF MATING FACE
- BULK PACKAGED IN A TRAY
- 32 ASSEMBLIES PACKAGED PER TUBE. SEE DETAIL B
- MATERIAL OF HOUSING: HIGH TEMPERATURE THERMOPLASTIC. COLOR: BLACK

3.30-4.32 [.15±.02]	4	1-5555153-1
1.78-2.79 [.09±.02]	4	5555153-6
2.54-3.05 [.11±.01]	4	5555153-5
3.30-4.32 [.15±.02]	5	5555153-3
3.30-4.32 [.15±.02]	4	5555153-1
DIM A	PACKAGED	PART NUMBER

THIS DRAWING IS A CONTROLLED DOCUMENT.		DIN G GARRETT/L.A. MAYER 05NOV2007		STE TE Connectivity	
DIMENSIONS: mm [INCHES]		TOLERANCES UNLESS OTHERWISE SPECIFIED:		APVD S. FLICKINGER 05NOV2007 NAME	
0 PLC ± -		1 PLC ± -		PRODUCT SPEC 108-1163	
1 PLC ± -		2 PLC ± 0.13[.005]		APPLICATION SPEC 114-2048	
2 PLC ± -		3 PLC ± -		SIZE CAGE CODE DRAWING NO RESTRICTED TO	
3 PLC ± -		4 PLC ± -		WEIGHT 0.000000 A1 00779 5555153	
ANGLES ± -		FINISH SEE NOTE 1		CUSTOMER DRAWING SCALE 4:1 SHEET 1 OF 1 REV D2	